



Craven Equipment

Inspired by Adventure Built for Everyday

General fitting instructions

Fitting Panniers

Tools Required:

- Drill with 1x 5mm drill bit
- 1x 8mm spanner
- 1x 3mm allen key
- 1x marker pen
- 1x reel of masking tape

Pannier fittings - To fit the panniers use kit KPanTop (1 set per pannier) and Kpan-Com locking plate and securing bolt fitting (1 set per pannier).

KpanTop-2 (1 set pictured)



Kpan-Com (1 set pictured)



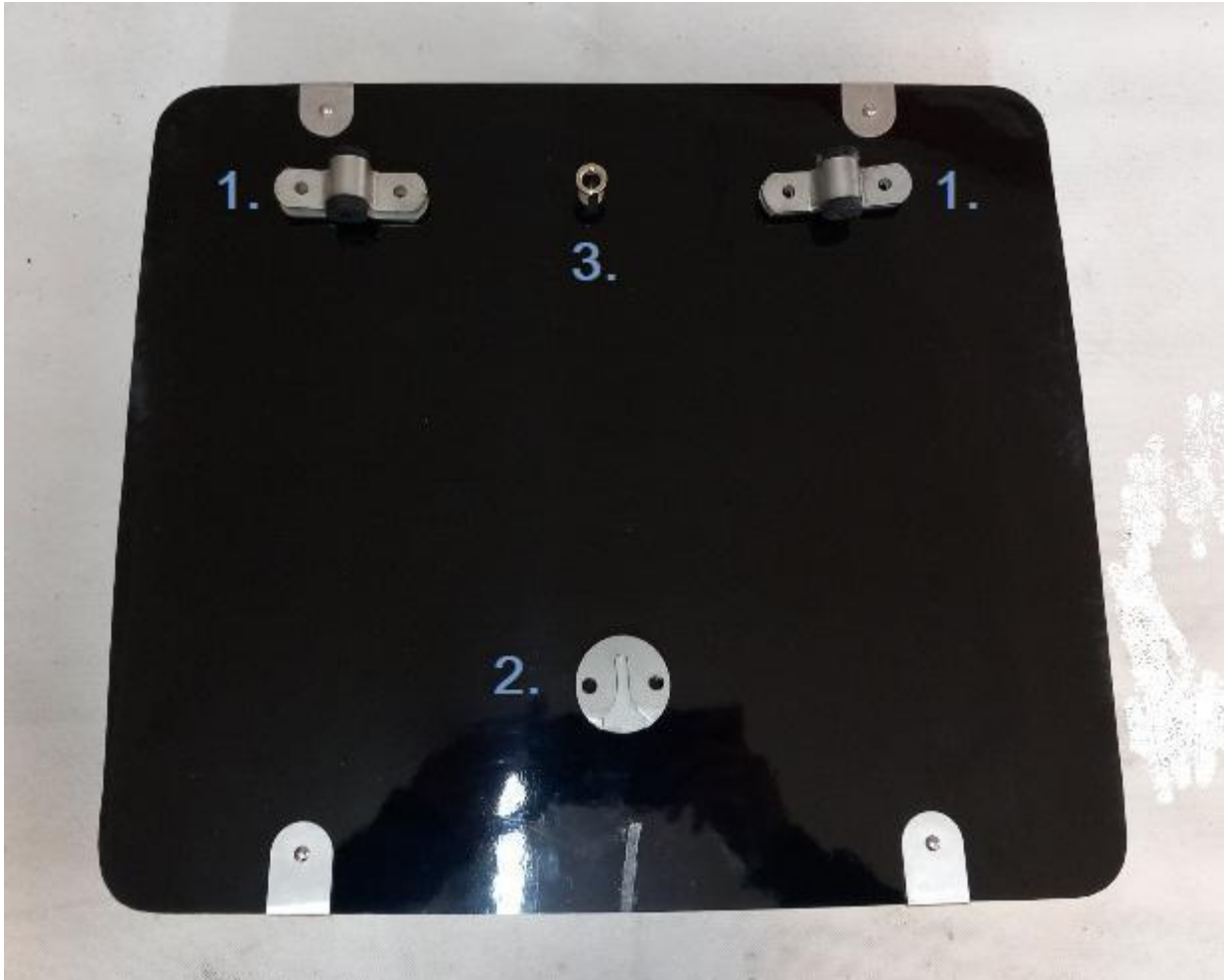
The panniers should be mounted as far forward and as low as is practical to aid stability.



Craven Equipment

Inspired by Adventure Built for Everyday

When complete, your pannier should look something like this -





Craven Equipment

Inspired by Adventure Built for Everyday

Top Fixing:

Step 1:

Use a piece of masking tape to protect the pannier where you intend to drill. Hold the pannier in place and, using P298 backplate as a template (as shown below), decide where you want the pannier positioned and mark the holes.



Step 2:

Drill two 5mm clearance holes using the bracket P298 backplate as a template. The drill bit must be sharp as the glass fibre will blunt it fairly quickly. Drill the front holes first and then once you are happy with them you can mark the position ready for drilling the rear mounting holes. Once drilled remove the masking tape.



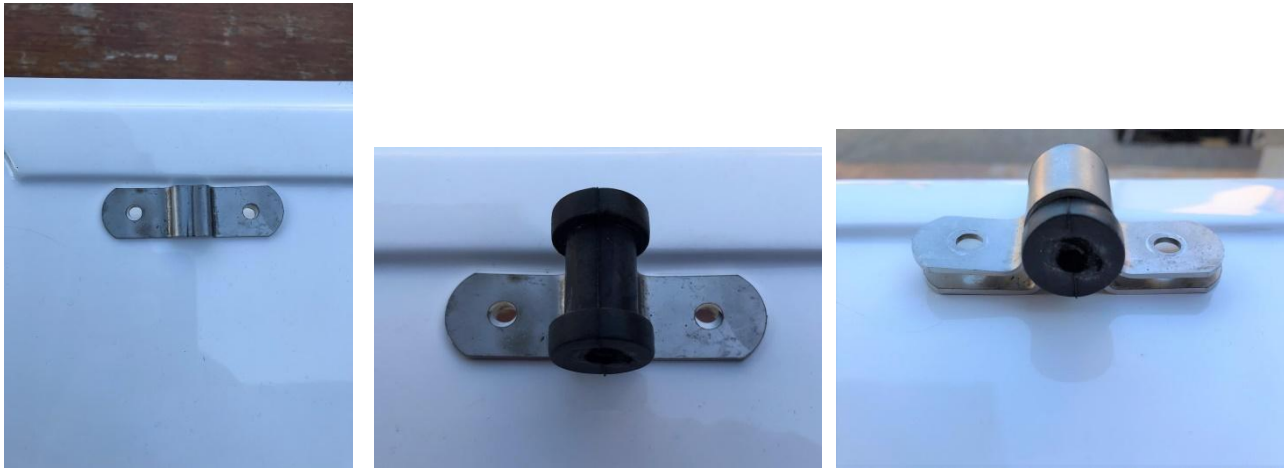


Craven Equipment

Inspired by Adventure Built for Everyday

Step 3:

Attach KPANTOP-2 top fitting to the pannier. Place the P298 backplate over the holes you drilled, then place the B119 rubber bung onto the centre of the backplate with the hole in the rubber pointing downwards. Then put P299 backplate clip over the top and fasten using the 5mm screws, washers and domed locking nuts (as shown in the pictures below).



Bottom plates and securing bolt fixing:

If fitting to an older rack without skis please order the following:

- 4 x P428 clamp
- FA1530Q x 2
- FA1530Q x 2 nuts and bolts
- per pannier

After fitting the two sets of plates and rubber bushes to your pannier, push the pannier onto the 'L' studs secured on the rack.

Take the lock pin (see fig 1 below) and drill the support arm where it meets the pannier, with a 4mm hole - ideally equal distance between the rubber bushes as far as possible (recommended for spreading the weight.)

Fasten the lock pin through the support arm, using the M4 bolt and washer, with the pin protruding on the pannier side.

Fitting the locking plate on the pannier - Take the slotted circular plate and locate it onto the locating pin, leaving 0.25 inch (about a matchstick's worth) of gap at the top to allow a little give. Mark the two screw holes on the pannier, then drill, masking tape will help support the pannier and prevent scratching or the drill bit slipping.

Fasten the 3 locking plates to the pannier using the hex socket M6 screws and nyloc nuts and check the pin locates into it (fig 2)



Craven Equipment

Inspired by Adventure Built for Everyday

Fitting the securing bolt - The pannier is now mounted to the rack but can still be lifted away. The securing bolt (with the black plastic 'foot') is used to secure the pannier at the top. Attach the rectangular plate to the rack skis using the M6 fastenings (fig 3). Taking the securing bolt with foot, feed it in from the rack side screwing towards the pannier. Mark on pannier where stud makes contact. Drill a hole in the pannier the size of the sleeve & nut (12mm), fit threaded sleeve, nut and washer (with the washer on the outside of the pannier). Remove securing bolt from the rack. Reverse it so the foot is inside the pannier and through the threaded sleeve, screw securely to the aluminium plate.

To remove your panniers at any point, simply unscrew the securing bolt with foot, remove it from the sleeve, and lift away. Don't forget to put the securing bolt back through your rack so it doesn't get lost!

Fig 1



Fig 2



Fig 3



Craven Equipment

Inspired by Adventure Built for Everyday

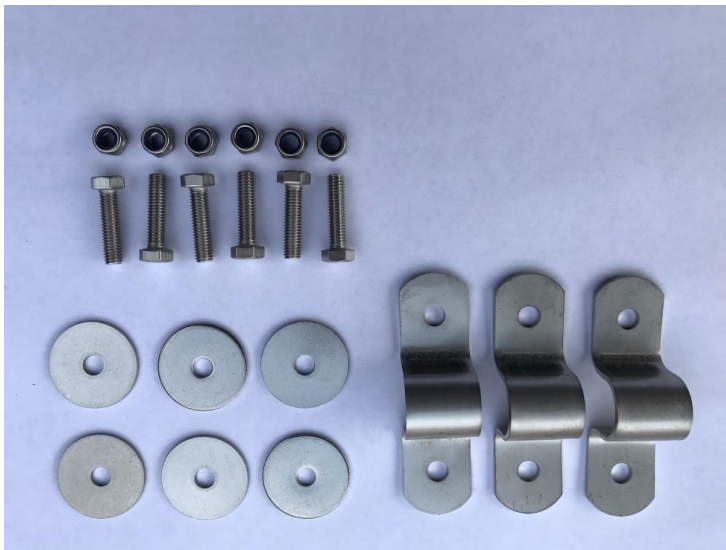
Topbox

Tools required:

1x drill with 5mm drill bit
1x 8mm spanner

Step 1:

Top boxes do not need any extra parts, other than a rack, as they include all fittings necessary. Your kit should include all parts shown below.



Step 2:

Use a piece of masking tape to protect the topbox where you intend to drill. Then place the P299 backplate clip on the masking tape and, using a marker pen, mark the position of the holes through the clip.





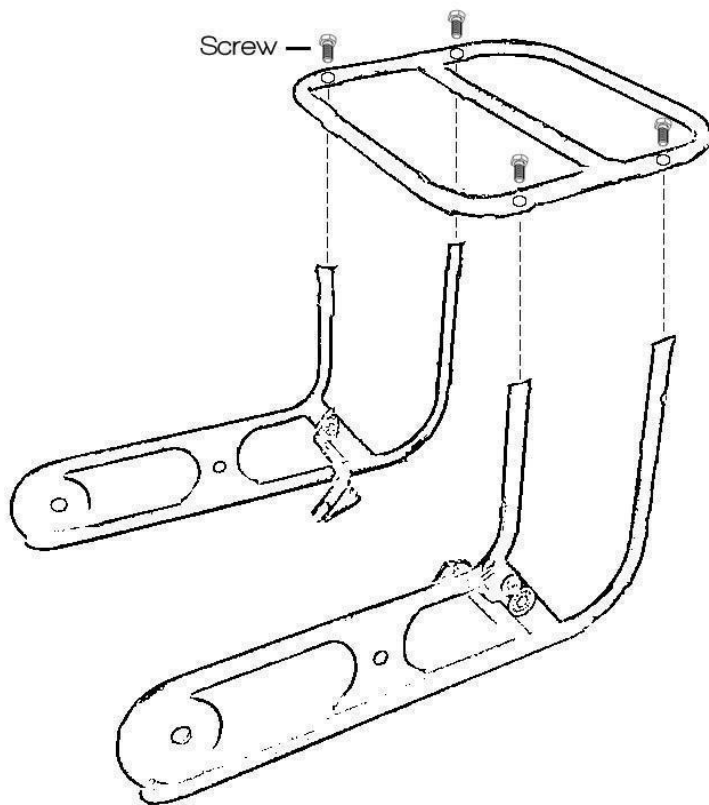
Craven Equipment

Inspired by Adventure Built for Everyday

Step 3:

The drill bit must be sharp as the glass fibre will blunt it fairly quickly. Once you are happy with the positioning drill the holes using a 5mm drill bit. Once all the holes are drilled you can place washers outside and in, positioning the clips before putting the lock nuts on. We recommend mounting the head of the bolt inside the box with the thread pointing out of the bottom so as not to catch on the items inside the box.

Racks - useful information



Our L series racks are now made in a flat-pack design, to save production time, costs and of course shipping costs. Each of these racks should come with an M6 Allen key for construction and four screws. See diagram.

The wider end of the top rack should point towards the front, and narrow towards the back.

Ensure the top screws are fully tight before attaching to the bike.

The diagonal supports towards the rear of the L rack are there should you need to relocate your indicators.

Fittings for mounting the panniers:

Tools required:

13mm spanner

The picture below shows the W series rack and the L studs which your panniers will mount on. The L series racks have similar skis and work in the same way. As the racks have a ski rail at the bottom this allows you to move the L studs to the position you require.



Craven Equipment

Inspired by Adventure Built for Everyday



Step 1:

Once you have mounted the rack onto your bike you can then attach the fittings to hold your panniers.

The kit comprises 4x L studs, 4x 8mm nyloc nuts, 4x 8mm full nuts and 4x 8mm plain washers (image above).

The L studs go through the ski rail from the outside, but first you will need to screw on the 8mm full nut first and wind it approximately half way up the thread. Once you have done this you can put it through the ski rail and then attach the 8mm plain washer and 8mm lock nut on the back/inside of the rack. The lock nut will only screw on so far by hand before it starts to tighten, so this way you can adjust the 8mm full nut on the outer side. Make sure both L studs are equal distance outwards from the rack otherwise your panniers won't be straight. Finally tighten the locknut.

